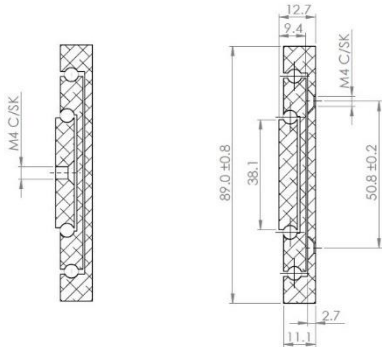
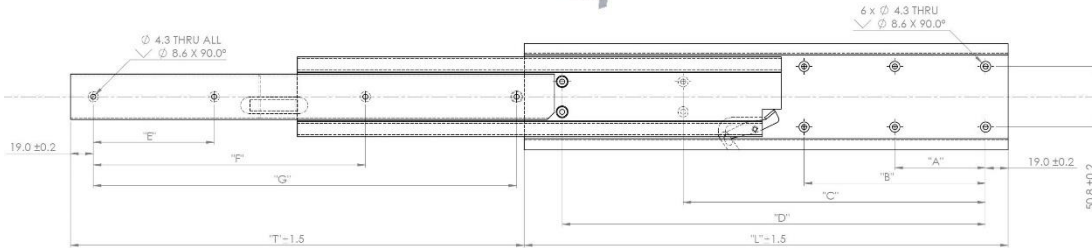


**4014.150 FL/FL-EN**



**Mounting details**  
Refer to drill table hole pitches

**Features:**  
Non Locking (FL)  
Lock Out (FL-EN) LH & RH Pair

**Configuration Table**

Part Number	Installation Length "L"	Extension Length "T"	Drill Table							Weight (KG/Each)	QTY/BOX	Load (KG/Pair)
			"A"	"B"	"C"	"D"	"E"	"F"	"G"			
4014.150FL.010	254	228.6	76.2	-	-	203.2	-	127	203.2	0.65	10	82
4014.150FL.012	304.8	279.4	101.6	-	-	254	50.8	152.4	254	0.78	10	86
4014.150FL.014	355.6	330.2	127	-	-	304.8	76.2	203.2	304.8	0.91	10	89
4014.150FL.016	406.4	381	76.2	152.4	254	355.6	101.6	228.6	355.6	1.04	10	92
4014.150FL.018	457.2	431.8	76.2	152.4	279.4	406.4	127	279.4	406.4	1.17	10	94
4014.150FL.020	508	482.6	101.6	203.2	330.2	457.2	152.4	304.8	457.2	1.3	10	96
4014.150FL.022	558.8	533.4	101.6	203.2	355.6	508	177.8	330.2	508	1.43	10	96
4014.150FL.024	609.6	584.2	127	254	406.4	558.8	177.8	381	558.8	1.56	10	94
4014.150FL.026	660.4	635	127	254	431.8	609.6	203.2	406.4	609.6	1.69	10	90
4014.150FL.028	711.2	685.8	152.4	304.8	482.6	660.4	228.6	431.8	660.4	1.82	10	85
4014.150FL.030	762	736.6	152.4	304.8	508	711.2	228.6	482.6	711.2	1.95	10	80
4014.150FL.032	812.8	787.4	177.8	355.6	558.8	762	254	508	762	2.08	10	76
4014.150FL.034	863.6	838.2	177.8	355.6	584.2	812.8	279.4	533.4	812.8	2.21	7	72
4014.150FL.036	914.4	889	203.2	406.4	635	863.6	279.4	584.2	863.6	2.34	7	68

Options: Various dimensions of the main profile, slide lengths, extensions, drillings and hole centres to customer requirements



We recommend use the major axis, do not dismantle the slide! The maximum safe load is given for a fully extended pair of slides, mounted on the major axis, with a load spread uniformly along the inner beam.

**Material:**

- Beams: Automotive grade aluminium 7N01 T5. Clear anodised
- Ball bearings: Hardened steel & chromed
- Cages: Plated steel. Caged ball bearings for smooth extension
- Standard surface finish meets MIL-A-8625 Type II
- Silent & light weight: 30% the weight of steel slides