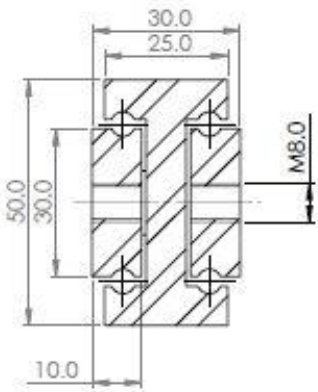
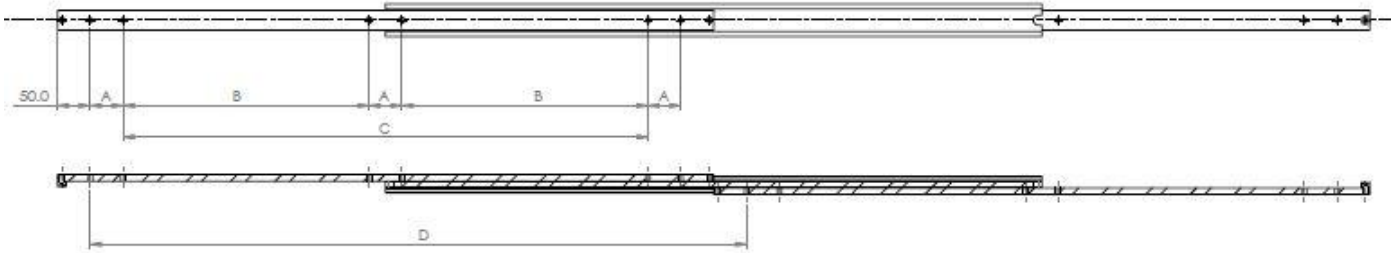


SDTS050



Mounting details
Refer to drill table hole pitches

Configuration Table						
Part Number	Installation Length "L"	Extension Length "D"	Load Per Pair (kg)	Drill Table		
				"A"	"B"	"C"
4015.SDTS050.0200	200	200	300	50		
4015.SDTS050.0250	250	250	310	50		50
4015.SDTS050.0300	300	300	320	50		100
4015.SDTS050.0350	350	350	330	50		150
4015.SDTS050.0400	400	400	340	50		200
4015.SDTS050.0450	450	450	350	50		250
4015.SDTS050.0500	500	500	360	50		300
4015.SDTS050.0550	550	550	370	50	150	
4015.SDTS050.0600	600	600	380	50	175	
4015.SDTS050.0650	650	650	370	50	200	
4015.SDTS050.0700	700	700	360	50	225	
4015.SDTS050.0750	750	750	350	50	250	
4015.SDTS050.0800	800	800	340	50	275	
4015.SDTS050.0850	850	850	330	50	300	
4015.SDTS050.0900	900	900	310	50	325	
4015.SDTS050.0950	950	950	300	50	350	
4015.SDTS050.1000	1000	1000	290	50	375	
4015.SDTS050.1050	1050	1050	280	50	400	
4015.SDTS050.1100	1100	1100	270	50	425	
4015.SDTS050.1150	1150	1150	260	50	450	
4015.SDTS050.1200	1200	1200	250	50	475	
4015.SDTS050.1250	1250	1250	240	50	500	
4015.SDTS050.1300	1300	1300	230	50	525	
4015.SDTS050.1350	1350	1350	220	50	550	
4015.SDTS050.1400	1400	1400	210	50	575	
4015.SDTS050.1450	1450	1450	200	50	600	
4015.SDTS050.1500	1500	1500	190	50	625	

Options: Various dimensions of the main profile, slide lengths, extensions, drills and hole centres to customer requirements



We recommend use the major axis, do not dismantle the slide! The maximum safe load is given for a fully extended pair of slides, mounted on the major axis, with a load spread uniformly along the inner beam.

Material: Our slides are processed with milling, from cold drawn material in quality 316L stainless (1.4404 Inox). Standard balls used are 316L stainless (1.4404 Inox). Ball cages & end stops are manufactured from 316 stainless (1.4401 Inox).

'UK Company, Global Reach'